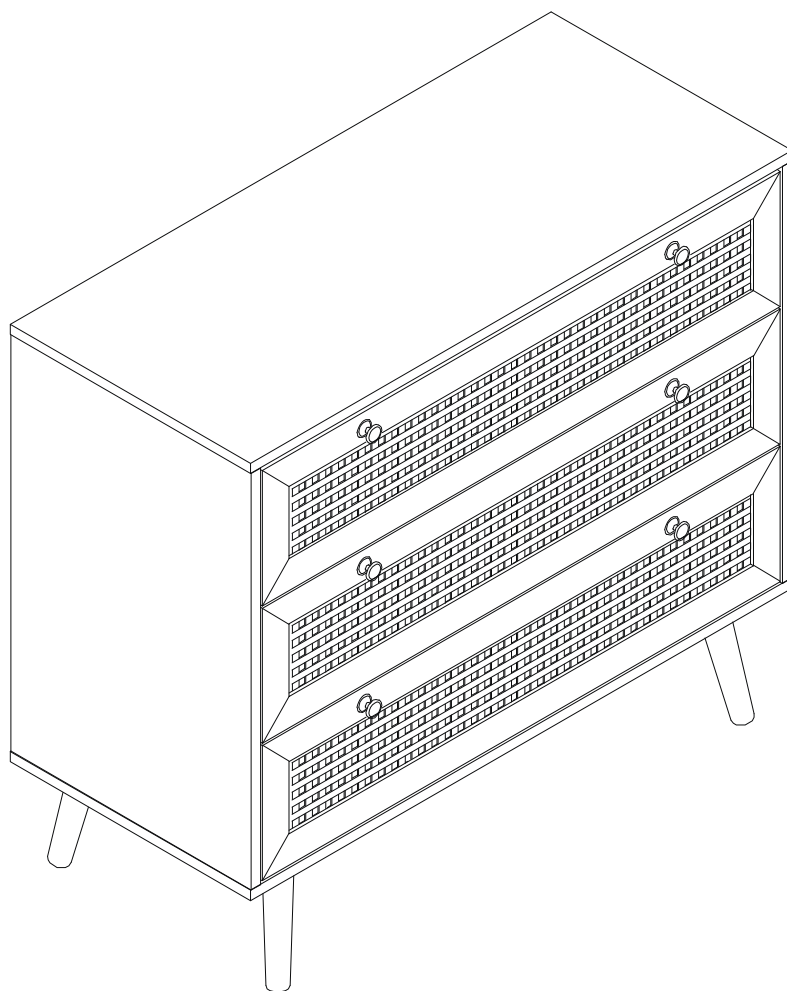
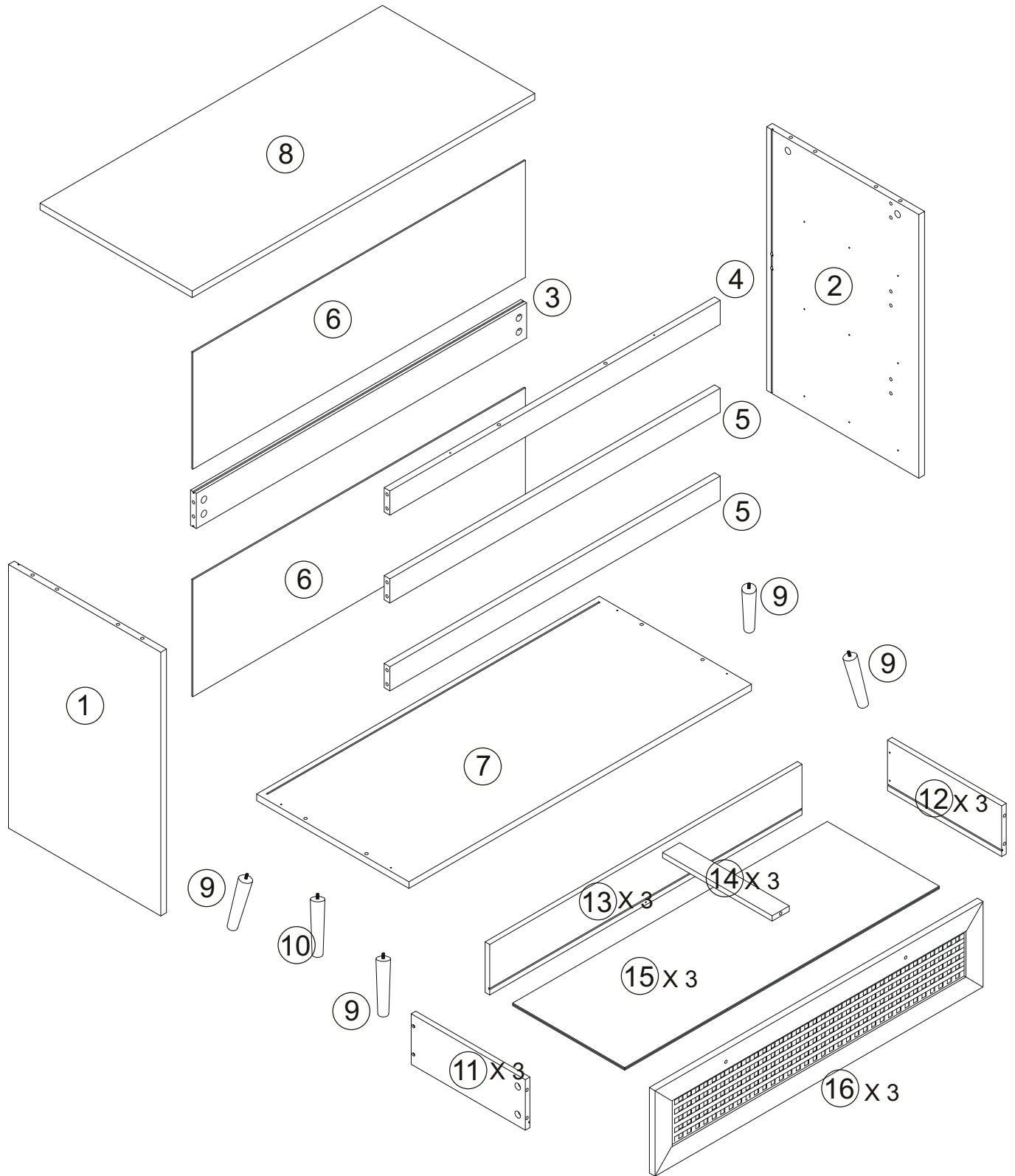


BLŪ
west

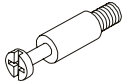

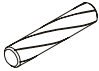



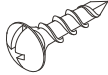

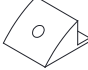
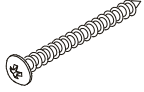
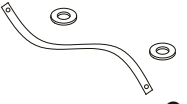
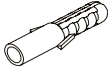



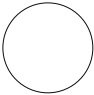

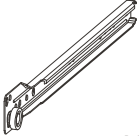
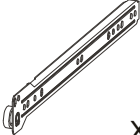
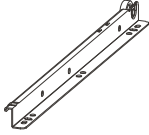
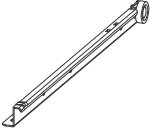


ASSEMBLY INSTRUCTION
81205.Z.02

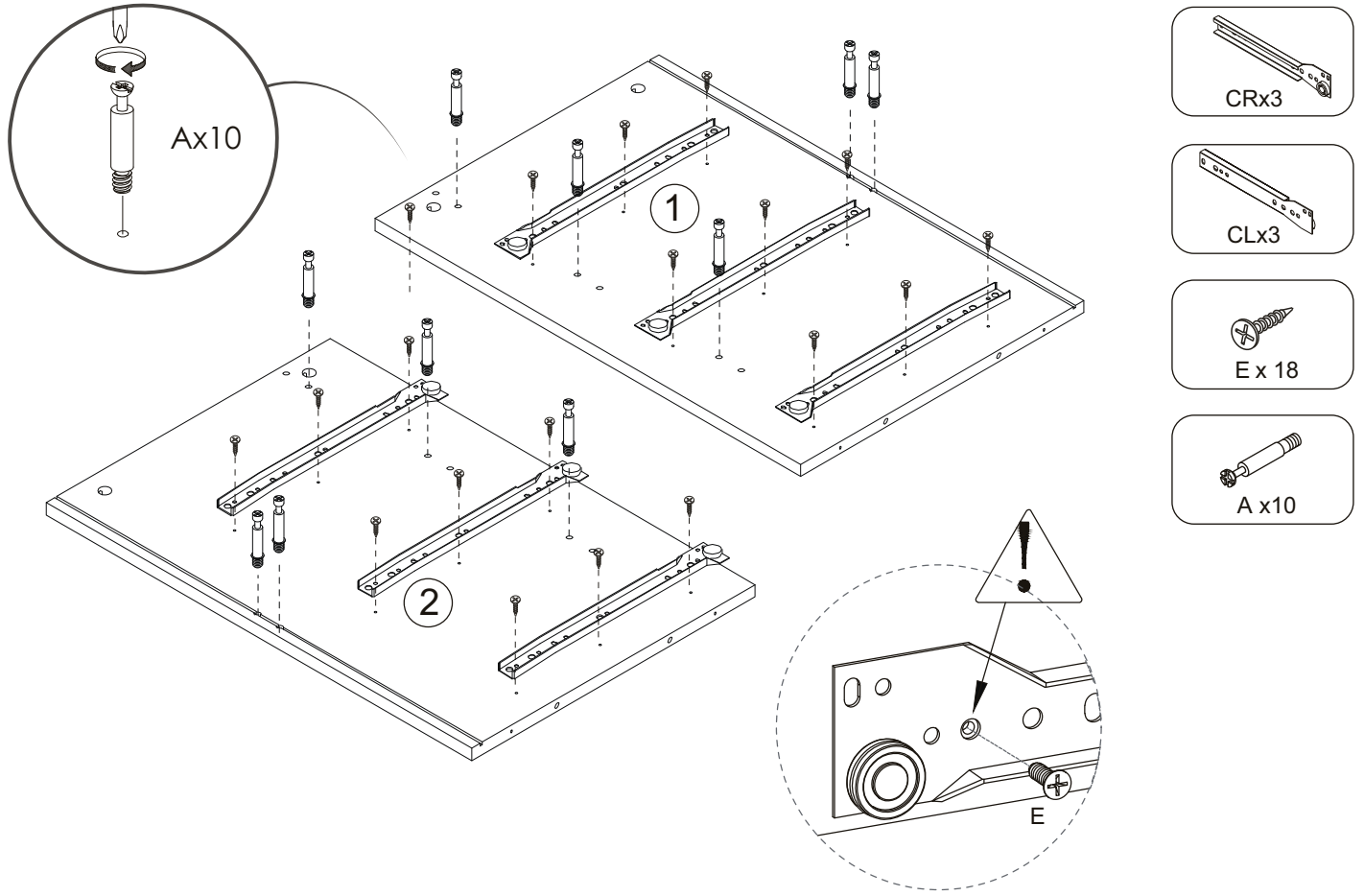
PARTS LIST



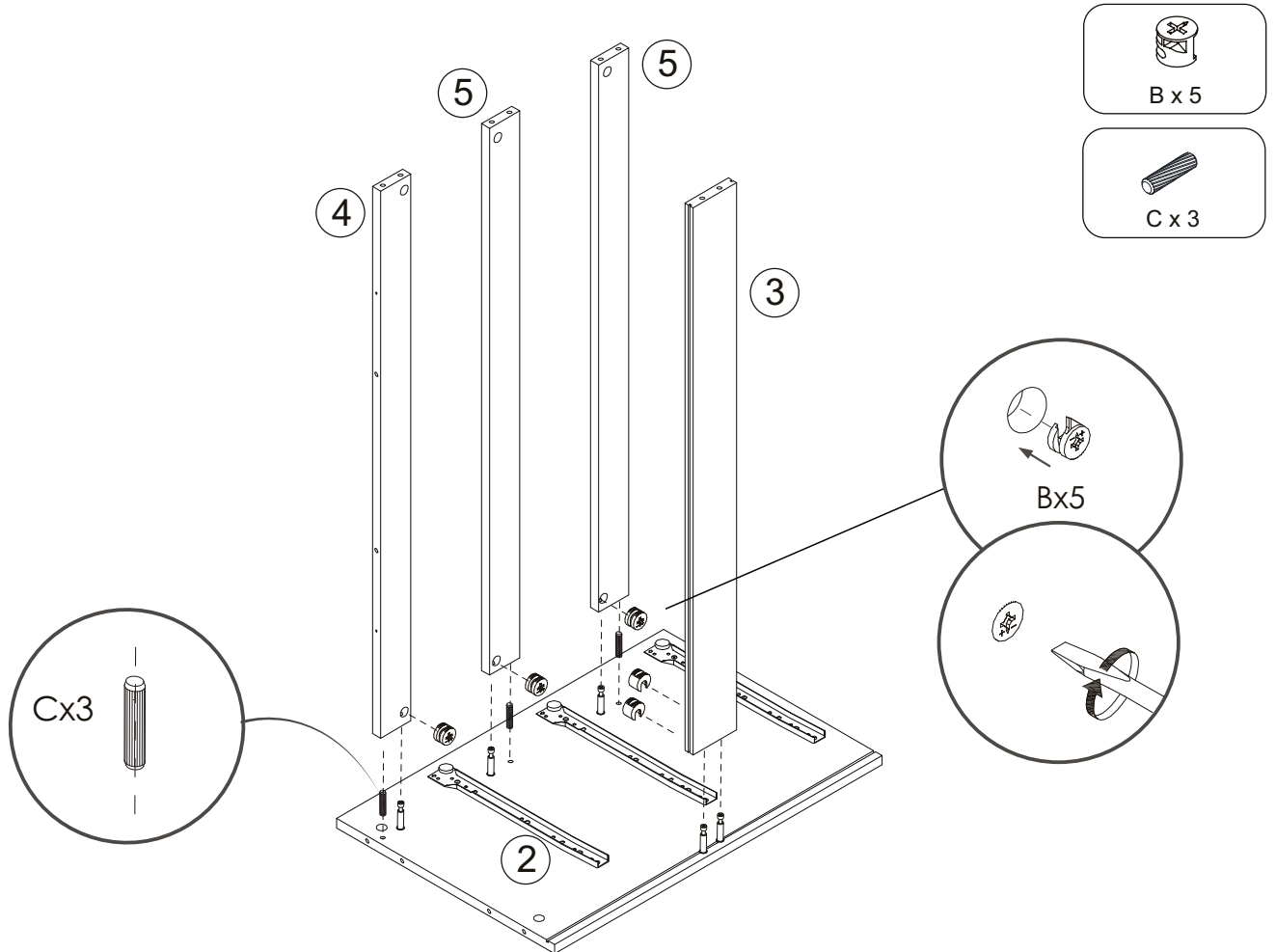
Hardware:

A M6*36 mm  x29	B M15*10 mm  x29	C M5.8*30 mm  x16	D M4*35mm  x6	E M3.5*12 mm  x36
F  x4	G M4*14 mm  x22	H M3*16 mm  x8	I  x8	J M4*35 mm  x2
K  x2	L  x2	M M4*30mm  x15	N M4*16mm  x6	O  x6
P  x4	Q  x1	(CL)  x3	(CR)  x3	(DL)  x3
(DR)  x3				

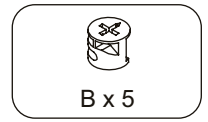
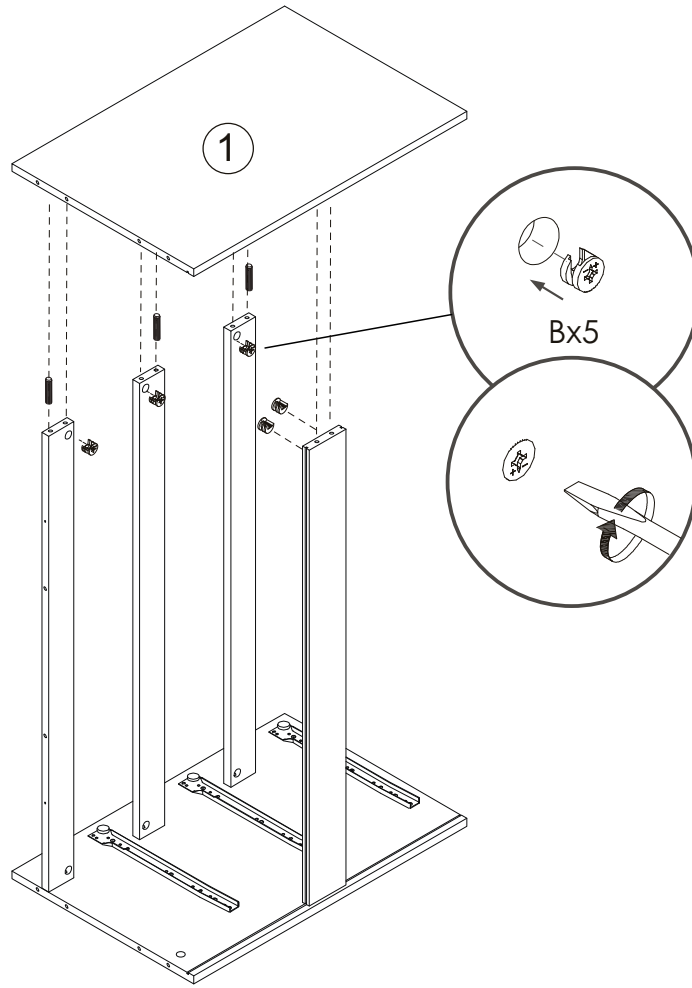
STEP 1



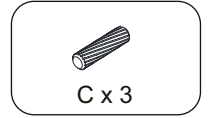
STEP 2



STEP 3

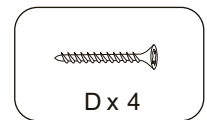
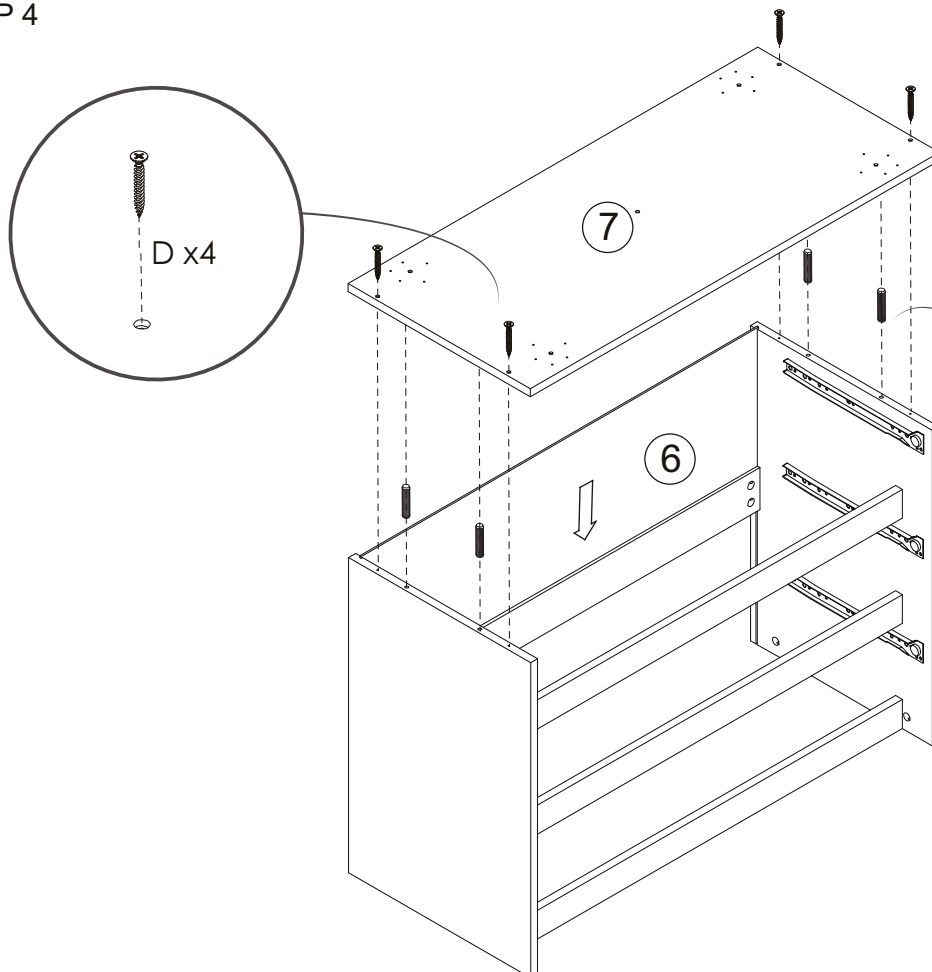


B x 5

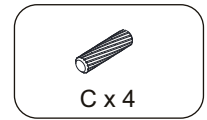


C x 3

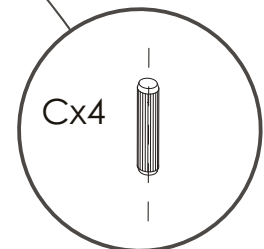
STEP 4



D x 4

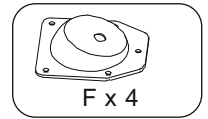
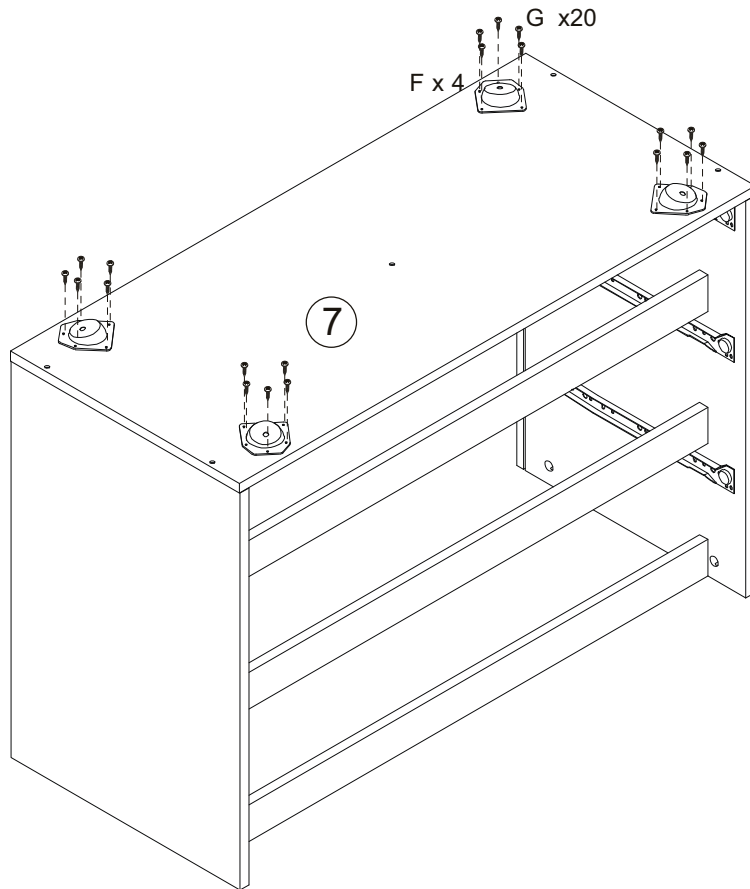


C x 4

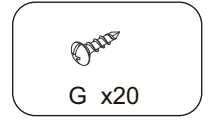


C x 4

STEP 5

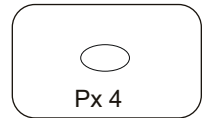
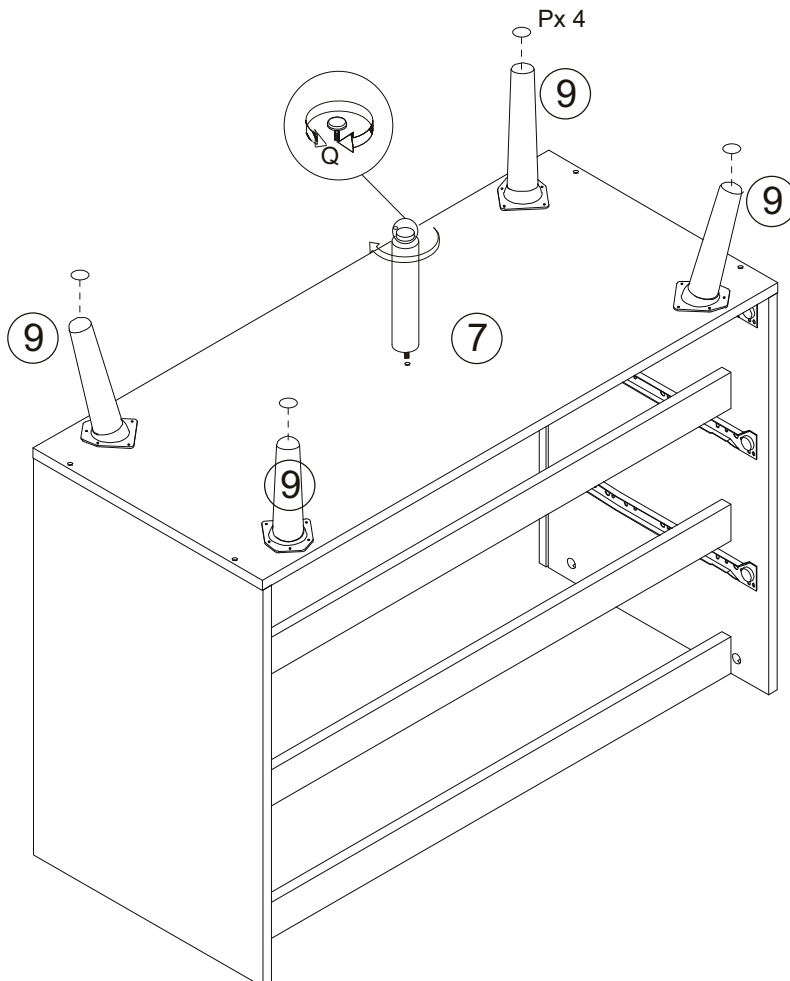


F x 4

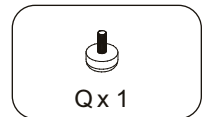


G x 20

STEP 6

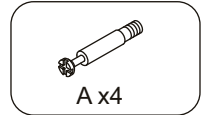
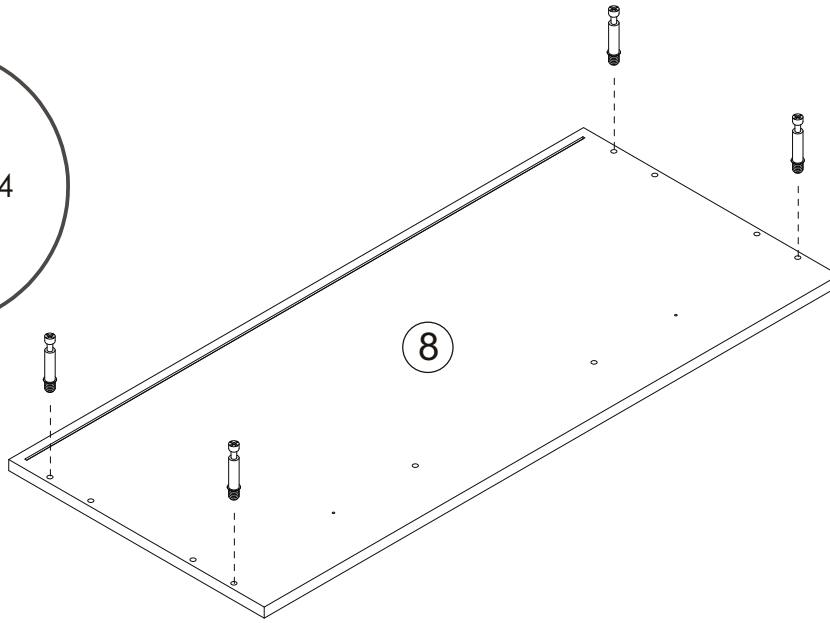
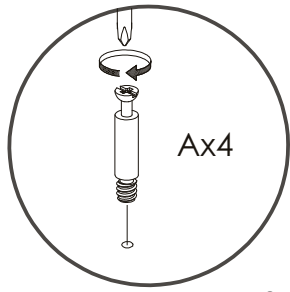


Px 4

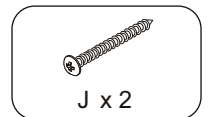
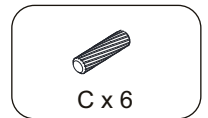
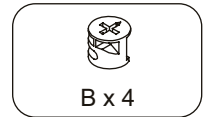
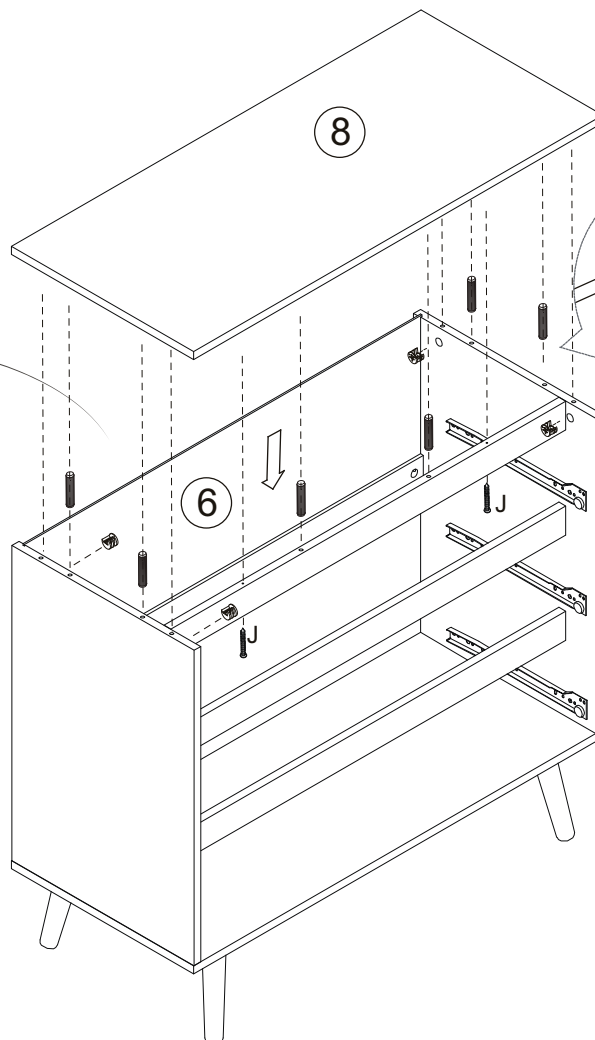
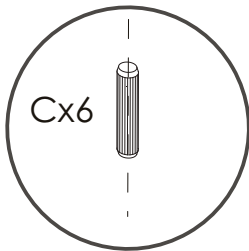


Q x 1

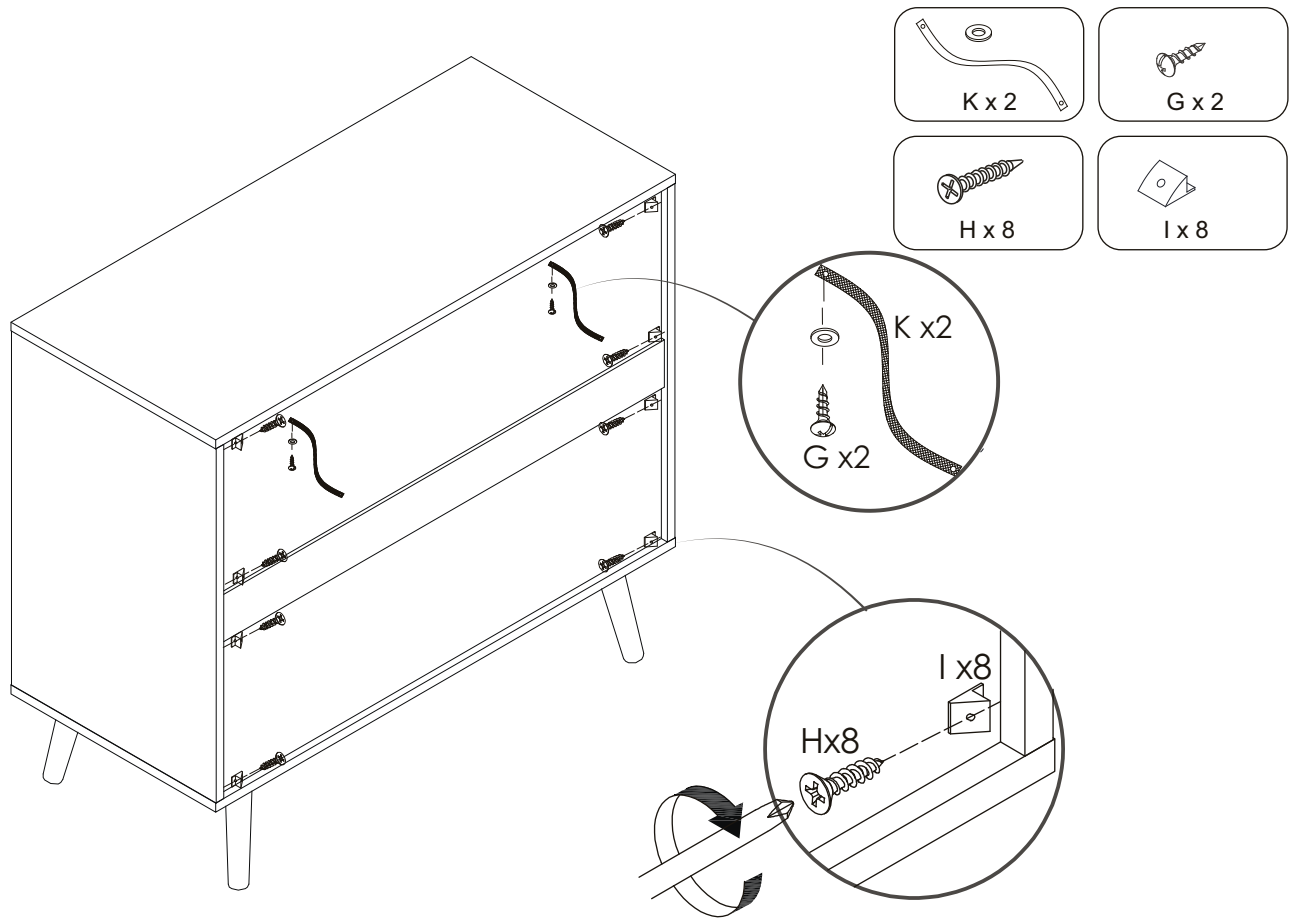
STEP 7



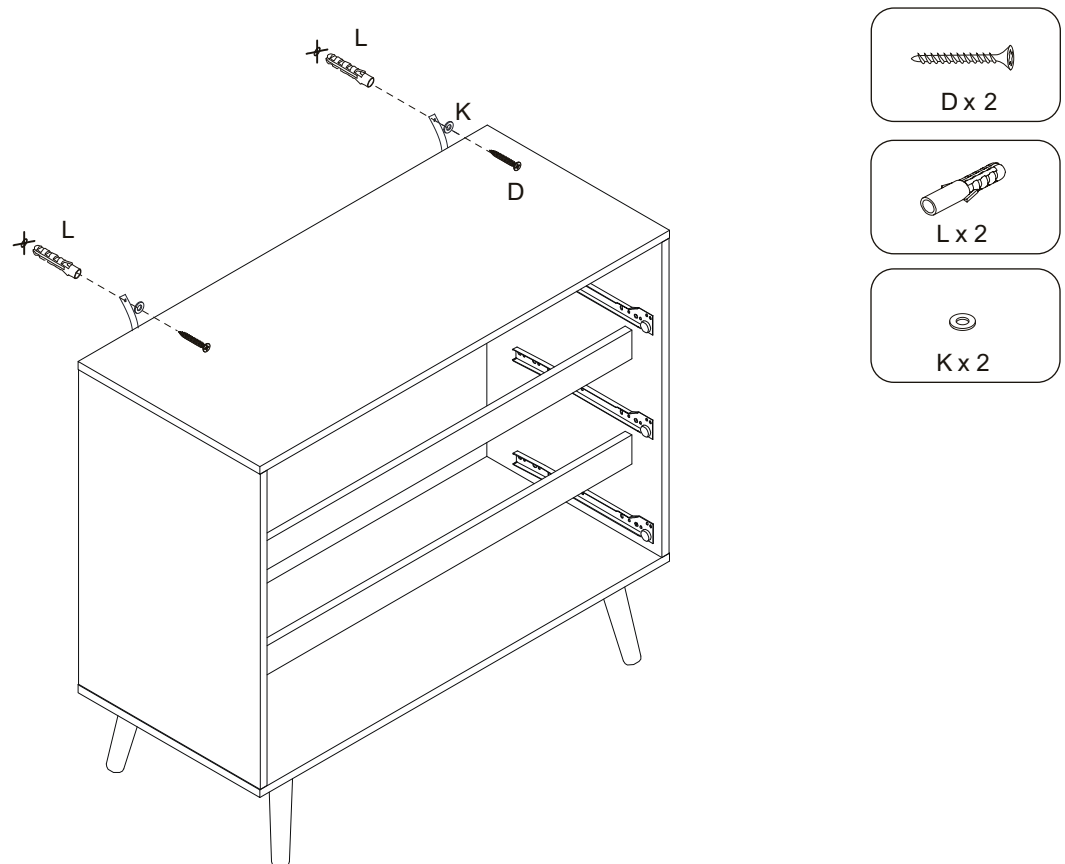
STEP 8



STEP 9

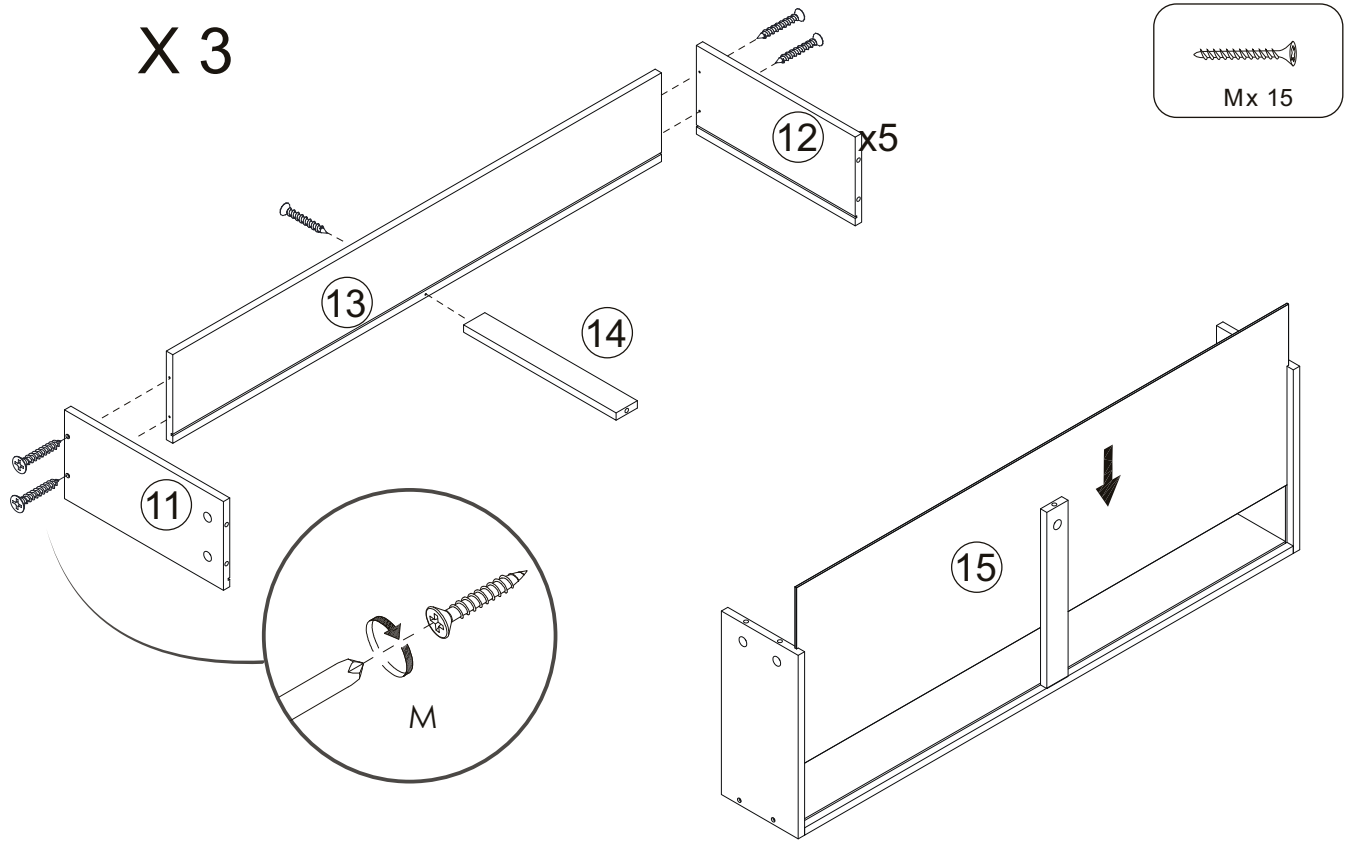


STEP 10

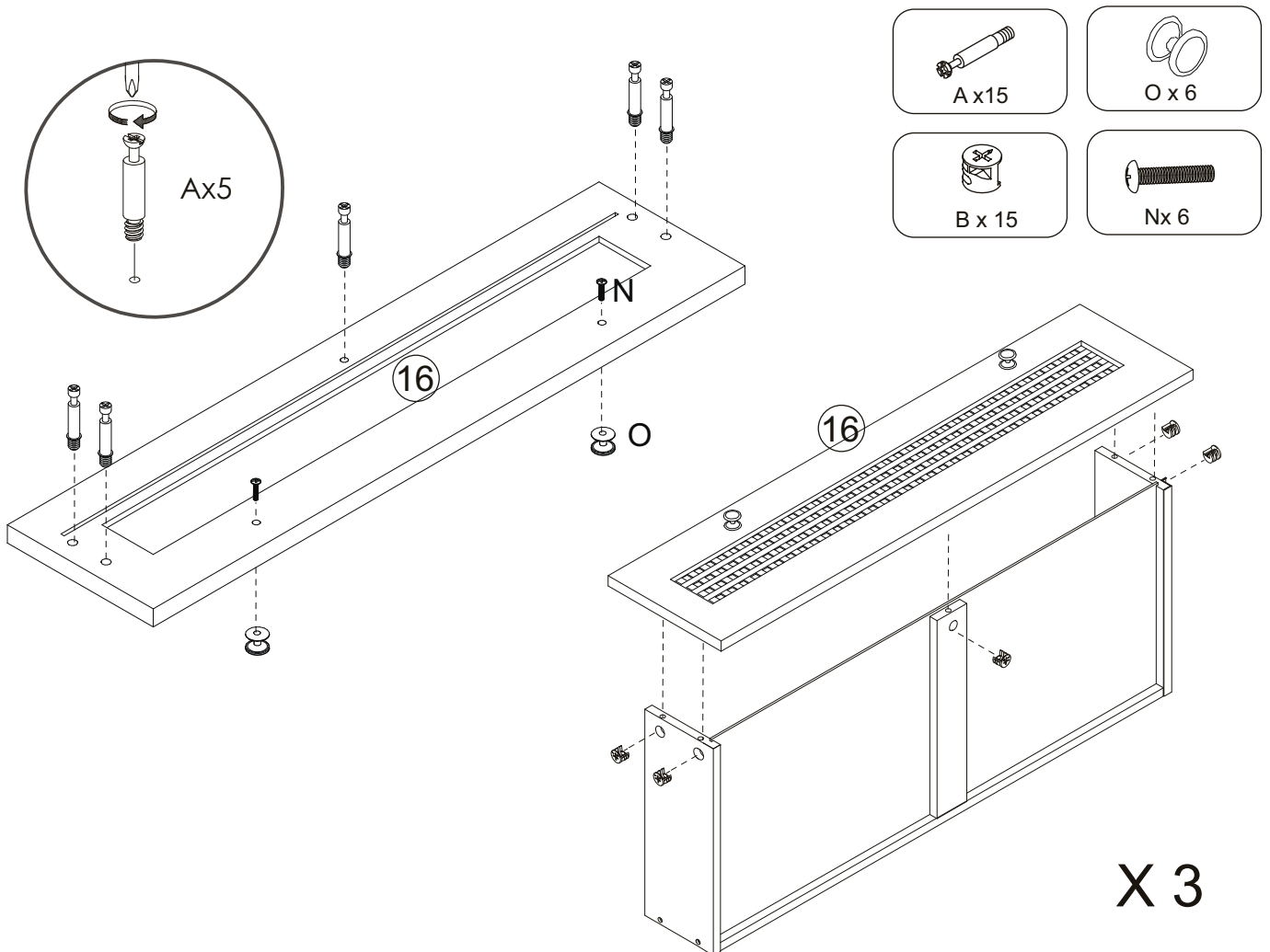


STEP 11

X 3

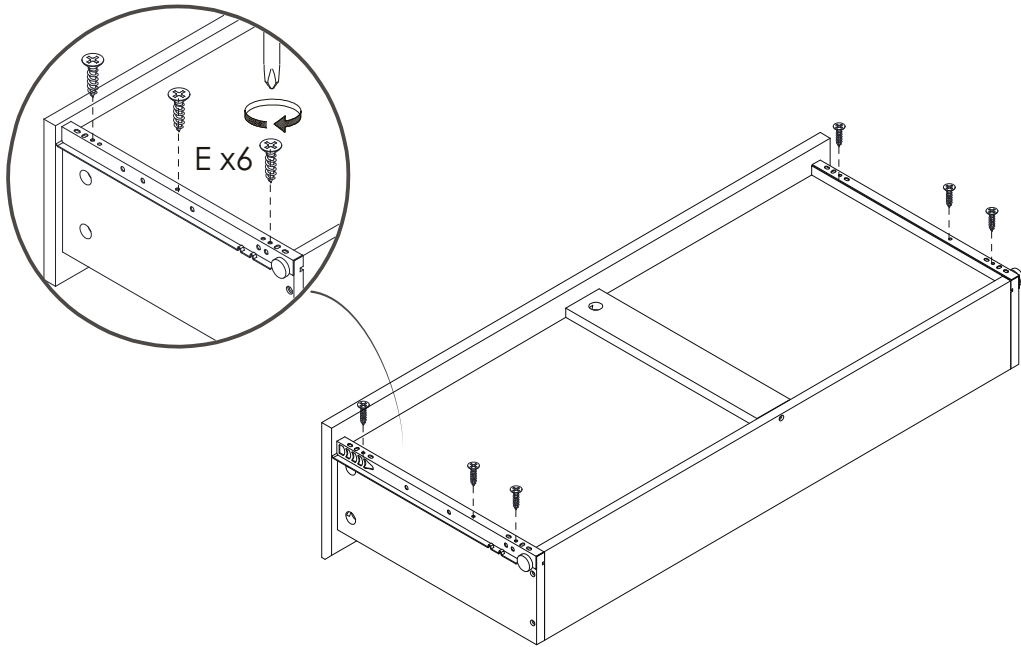
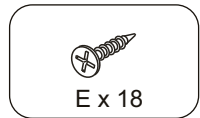


STEP 12



STEP 13

X 3



STEP 14

